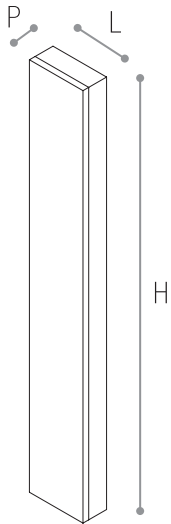
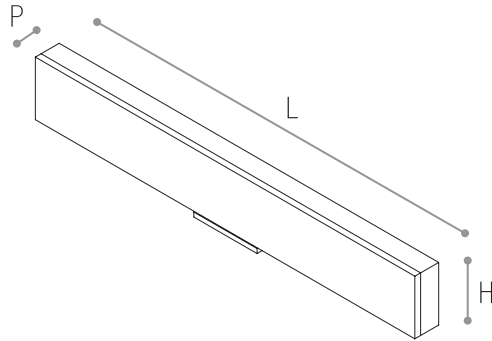


MODULOR



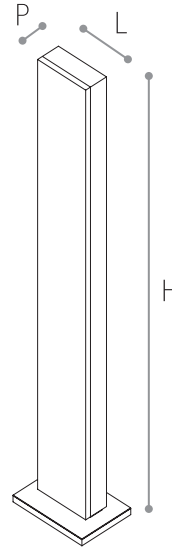
MODULOR M W

da parete, esterne
wall



MODULOR M C

da appoggio con staffa
stand alone (central with bracket)



MODULOR M SA

da pavimento
stand alone

MODULOR M 35 W

L 150 x H 350 x P 64

MODULOR M 35 C

L 363 x H 163 x P 64

MODULOR M 35 SA

L 150 x H 363 x P 64

System: reflex passive **No.of ways:** 2 **Power(W):** 65 **Impedance(Ohm):** 8 **X-over:** 2 kHz **Freq.Resp(Hz):** 70-21K
Sensitivity(dB): 87 **Drivers:** 1 x midwoofer d.100mm 1 x tweeter d.21mm 1 x passive d.130mm

MODULOR M 65 W

L 150 x H 650 x P 64

MODULOR M 65 C

L 650 x H 163 x P 64

System: reflex passive **No.of ways:** 2 **Power(W):** 125 **Impedance(Ohm):** 8 **X-over:** 2 kHz **Freq.Resp(Hz):** 50-21K
Sensitivity(dB): 88 **Drivers:** 1 x midwoofer d.130mm 1 x tweeter d.26mm 2 x passive d.130mm

N.B. Two channels stereo version available on demand

MODULOR M 80 W

L 150 x H 800 x P 64

MODULOR M 80 C

L 800 x H 163 x P 64

System: reflex passive **No.of ways:** 2 **Power(W):** 125 **Impedance(Ohm):** 8 **X-over:** 2 kHz **Freq.Resp(Hz):** 47-21K
Sensitivity(dB): 88 **Drivers:** 1 x midwoofer d.130mm 1 x tweeter d.26mm 2 x passive d.130mm

N.B. Two channels stereo version available on demand

MODULOR M 105 W

L 150 x H 1050 x P 64

MODULOR M 105 C

L 1050 x H 163 x P 64

MODULOR M 105 SA

L 150 x H 1080 x P 65

System: reflex passive **No.of ways:** 2 **Power(W):** 125 **Impedance(Ohm):** 8 **X-over:** 2 kHz double slope, power factor corrected
Freq.Resp(Hz): 40-21K **Sensitivity(dB):** 88 **Drivers:** 1 x midwoofer d.130mm 1 x tweeter d.26mm 4 x passive d.130mm

N.B. Two channels stereo version available on demand

MODULOR M 105 W TRIMODE

L 150 x H 1050 x P 64

MODULOR M 105 C TRIMODE

L 1050 x H 163 x P 64

System: reflex passive **No.of ways:** 2 x 3 channels **Power(W):** 125 x 3 **Impedance(Ohm):** 8 **X-over:** 2 kHz
Freq.Resp(Hz): 55-21K **Sensitivity(dB):** 88 **Drivers:** 3 x midwoofer d.130mm 3 x tweeter d.26mm 2 x passive d.130mm

MODULOR M 123 W TRIMODE

L 150 x H 1230 x P 64

MODULOR M 123 C TRIMODE

L 1230 x H 163 x P 64

System: reflex passive **No.of ways:** 2 x 3 channels **Power(W):** 125 x 3 **Impedance(Ohm):** 8 **X-over:** 2 kHz
Freq.Resp(Hz): 55-21K **Sensitivity(dB):** 88 **Drivers:** 3 x midwoofer d.130mm 3 x tweeter d.26mm 2 x passive d.130mm

MODULOR M 128 W TRIMODE

L 150 x H 1280 x P 64

MODULOR M 128 C TRIMODE

L 1280 x H 163 x P 64

System: reflex passive **No.of ways:** 2 x 3 channels **Power(W):** 125 x 3 **Impedance(Ohm):** 8 **X-over:** 2 kHz
Freq.Resp(Hz): 50-21K **Sensitivity(dB):** 88 **Drivers:** 3 x midwoofer d.130mm 3 x tweeter d.26mm 3 x passive d.130mm

MODULOR M 145 W TRIMODE

L 150 x H 1450 x P 64

MODULOR M 145 C TRIMODE

L 1450 x H 163 x P 64

System: reflex passive **No.of ways:** 2 x 3 channels **Power(W):** 125 x 3 **Impedance(Ohm):** 8 **X-over:** 2 kHz
Freq.Resp(Hz): 45-21K **Sensitivity(dB):** 88 **Drivers:** 3 x midwoofer d.130mm 3 x tweeter d.26mm 4 x passive d.130mm

MODULOR M 160 W TRIMODE

L 150 x H 1600 x P 64

System: reflex passive **No.of ways:** 2 x 3 channels **Power(W):** 125 x 3 **Impedance(Ohm):** 8 **X-over:** 2 kHz
Freq.Resp(Hz): 45-21K **Sensitivity(dB):** 88 **Drivers:** 3 x midwoofer d.130mm 3 x tweeter d.26mm 4 x passive d.130mm

COLOURS AVAILABLE

Chassis finishing: white painted / black painted. **Grille cloth:** white / black. **Notes:** *Grille cloth can be changed on demand (see colours available on VELA speakers). **Without indication when ordering, standard colours will be supplied (white grille cloth with white chassis, black with black chassis). **N.B.** On demand can be painted with other RAL colours, with increase of 15% on price.