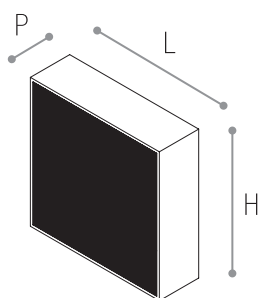
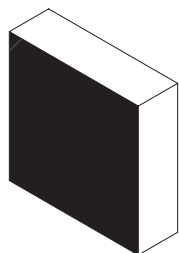


SERIE Q



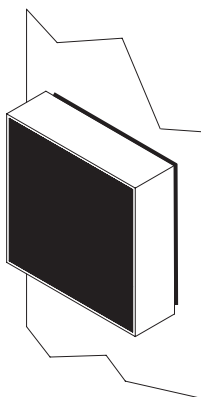
Q 20

da libreria o appoggio
stand alone, book-shelves
o to be leant



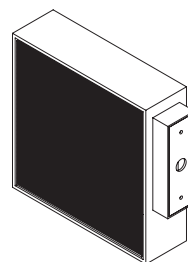
Q 20 Z

da libreria o appoggio
CON GRIGLIA A FILO
stand alone, book-shelves
o to be leant
FULL GRILLE



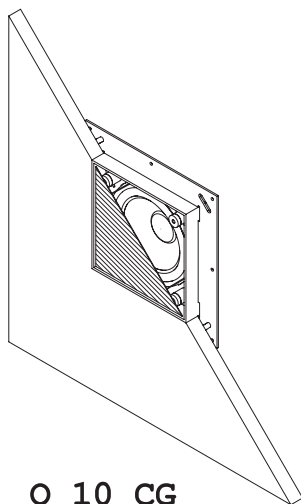
Q 20 W

da parete
wall



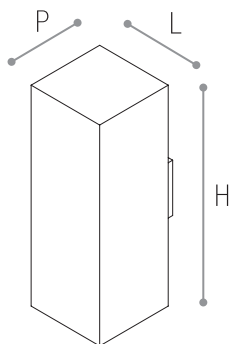
Q 20 B

da parete, a bandiera
wall, dipole



Q 10 CG

da incasso su cartongesso
in-wall, for wall made
of plaster/paperboard



Q 10 W

da parete, a bandiera
wall, dipole

Q 10 W

L 100 x P 100 x H 277

System: closed **No.of ways:** full range **Power(W):** 50 **Impedance(Ohm):** 4-ago **X-over:** in-line, full range
Freq.Resp(Hz): 80-16K **Sensitivity(dB):** 87 **Drivers:** 1 x full range d.80mm

Q 10 CG

L 100 x H 100 x P 53

System: free air **No.of ways:** full range **Power(W):** 50 **Impedance(Ohm):** 4-ago **X-over:** in-line, full range
Freq.Resp(Hz): 80-16K **Sensitivity(dB):** 87 **Drivers:** 1 x full range d.80mm

COLOURS AVAILABLE

Chassis finishing (only for Q 10 W): white painted / dark grey painted / white silicate. **Grille cloth:** white / black. **Notes:** *Grille cloth can be changed on demand (see colours available on VELA speakers). **Without indication when ordering, standard colours will be supplied (white grille cloth with white chassis, black with dark grey chassis, white for Q10CG). **N.B.** On demand Q10W can be painted with other RAL colours, with increase of 15% on price.

Q 20

L 200 x H 200 x P 61

Q 20 Z

L 200 x H 200 x P 61

Q 20 W

L 200 x H 200 x P 61

System: reflex passive **No.of ways:** 2 **Power(W):** 65 **Impedance(Ohm):** 8 Ohm **X-over:** 3,5 kHz **Freq.Resp(Hz):** 50–21K **Sensitivity(dB):** 87 **Drivers:** 1 x midwoofer d.80mm 1 x tweeter d.19mm

Q 20 B

L 200 x H 200 x P 65

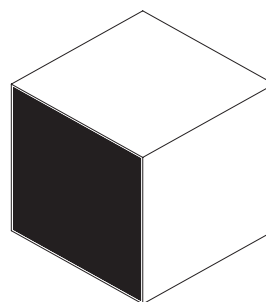
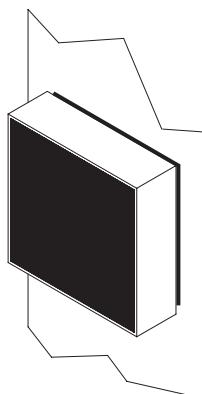
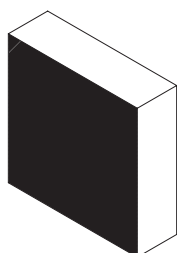
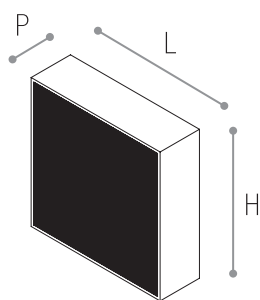
System: reflex passive **No.of ways:** 2 **Power(W):** 50rms-100MAX **Impedance(Ohm):** 4 / 8 **X-over:** 3,5 kHz **Freq. Resp(Hz):** 65–21K **Sensitivity(dB):** 87 **Drivers:** 1 x midwoofer d.80mm 1 x tweeter d.19mm

COLOURS AVAILABLE

Chassis finishing: polished aluminium / anodized aluminium / black anodized aluminium / white painted / black painted.

Grille cloth: white / beige / black.

Notes: *Grille cloth can be changed on demand (see colours available on VELA speakers). **Without indication when ordering, standard colours will be supplied (white grille cloth with white or polished alu chassis, black with black or black anodized alu chassis, beige with anodized alu chassis). **N.B.** On demand they can be painted with other RAL colours, with increase of 15% on price.

**Q 15**

da libreria o appoggio
stand alone, book-shelves
o to be leant

Q 15 Z

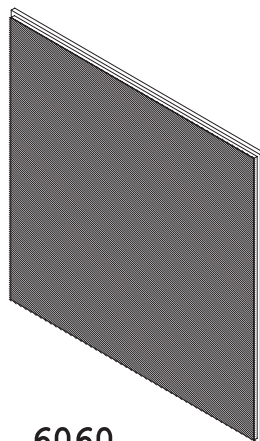
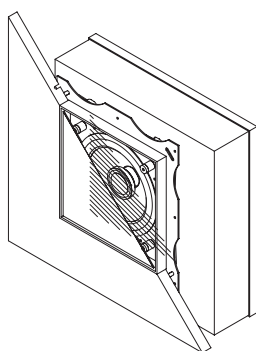
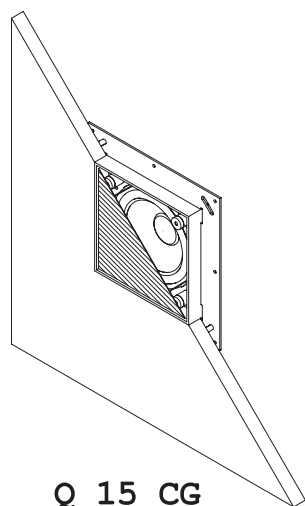
da libreria o appoggio
CON GRIGLIA A FILO
stand alone, book-shelves
o to be leant
FULL GRILLE

Q 15 W

da parete
wall

Q 15 K

da libreria o appoggio
stand alone, book-shelves
o to be leant

**Q 15 CG**

da incasso su cartongesso
in-wall, for wall made
of plaster/paperboard

Q 15 M

da incasso a muro
in-wall, for wall made
of bricks

6060

da controsoffitto
used in false ceiling

Q 15

L 150 x H 150 x P 50

Q 15 Z

L 150 x H 150 x P 50

System: reflex passive **No.of ways:** 2 **Power(W):** 50 **Impedance(Ohm):** 8 **X-over:** 2 kHz **Freq.Resp(Hz):** 70–21K
Sensitivity(dB): 85 **Drivers:** 1 x midwoofer d.50mm 1 x tweeter d.14mm

Q 15 W

L 150 x H 150 x P 87

System: reflex **No.of ways:** 2 **Power(W):** 50 **Impedance(Ohm):** 4 / 8 **X-over:** 2 kHz **Freq.Resp(Hz):** 60–21K
Sensitivity(dB): 86 **Drivers:** 1 x midwoofer d.80mm 1 x tweeter d.14mm

COLOURS AVAILABLE

Chassis finishing: polished aluminium / anodized aluminium / black anodized aluminium / white painted / black painted. **Grille cloth:** white / beige / black. **Notes:** *Grille cloth can be changed on demand (see colours available on VELA speakers). **Without indication when ordering, standard colours will be supplied (white grille cloth with white or polished alu chassis, black with black or black anodized alu chassis, beige with anodized alu chassis). **N.B.** On demand they can be painted with other RAL colours, with increase of 15% on price.

Q 15 K

L 150 x H 150 x P 150

System: reflex **No.of ways:** 2 **Power(W):** 50 **Impedance(Ohm):** 8 **X-over:** 2 kHz **Freq.Resp(Hz):** 50–21K
Sensitivity(dB): 86 **Drivers:** 1 x midwoofer d.80mm 1 x tweeter d.14mm

COLOURS AVAILABLE

Chassis finishing: white painted / black painted. **Grille cloth:** white / black. **Notes:** *Grille cloth can be changed on demand (see colours available on VELA speakers). **Without indication when ordering, standard colours will be supplied (white grille cloth with white chassis, black with black chassis). **N.B.** On demand they can be painted with other RAL colours, with increase of 15% on price.

Q 15 CG

L 150 x H 150 x P 70

System: free air **No.of ways:** 2 **Power(W):** 50 **Impedance(Ohm):** 4 / 8 **X-over:** 2 kHz **Freq.Resp(Hz):** 60–21K
Sensitivity(dB): 89 **Drivers:** coax d.130 - 2 ways **N.B.** In wall, for wall made of plasterboard

Q 15 CG R

L 150 x H 150 x P 55

System: free air **No.of ways:** 2 **Power(W):** 50 rms -100max **Impedance(Ohm):** 4 / 8 Ohm **X-over:** 2 kHz **Freq.Resp(Hz):** 60–21K
Sensitivity(dB): 89 **Drivers:** coax d.130 - 2 ways **N.B.** In wall, for wall made of plasterboard, smaller height

Q 15 CG HT

L 150 x H 150 x P 77

System: free air **No.of ways:** 2 **Power(W):** 75 **Impedance(Ohm):** 4 / 8 **X-over:** 2 kHz **Freq.Resp(Hz):** 50–21K **Sensitivity(dB):** 88
Drivers: coax D.W130-TW27 **N.B.** In wall, for wall made of plasterboard, high performances

Q 15 M

L 250 x H 250 x P 80

System: reflex **No.of ways:** 2 coax **Power(W):** 50 **Impedance(Ohm):** 4 / 8 **X-over:** 3,5 kHz
Freq.Resp(Hz): 65–20K **Sensitivity(dB):** 88 **Drivers:** 1 x midwoofer d.100mm 1 x tweeter d.14mm

COLOURS AVAILABLE

Chassis finishing: aluminium. **Grille cloth:** white. **Notes:** *Grille cloth can be changed on demand (see colours available on VELA speakers).
**Without indication when ordering, standard white grille will be supplied.

6060

L 595 x H 595 x P 70

System: free air **No.of ways:** 2 **Power(W):** 50 **Impedance(Ohm):** 8 Ohm **X-over:** 3,5 kHz **Freq.Resp(Hz):** 60–21K
Sensitivity(dB): 87 **Drivers:** 1 x midwoofer d.165mm 1 x tweeter d.19mm
