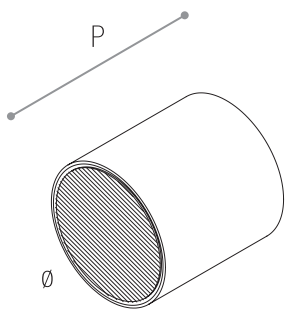
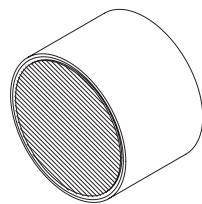


# SERIE T



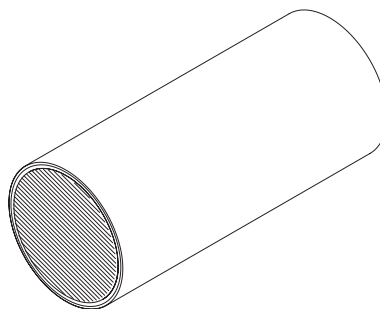
## T 13

da parete e soffitto  
wall or ceiling



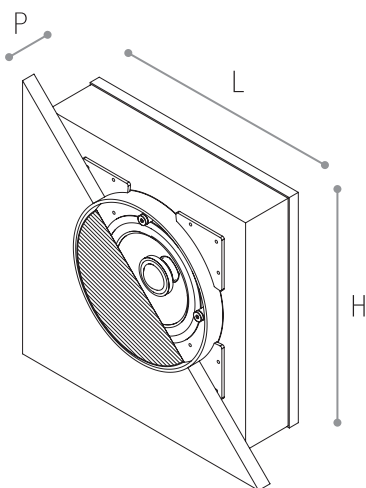
## T 13 S

da parete e soffitto  
wall or ceiling



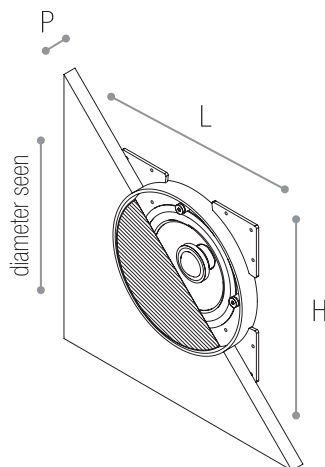
## T 13 L

da parete e soffitto  
wall or ceiling



## T 17 M

da muro, incassata  
in-wall, for wall made of bricks



## T 17 CG

da incasso su cartongesso  
in-wall, for wall made of plaster/paperboard

---

## T 13

Ø 130 x P 132

**System:** closed **No.of ways:** full range **Power(W):** 50 **Impedance(Ohm):** 8 **X-over:** in-line, full range **Freq.Resp(Hz):** 80–20K  
**Sensitivity(dB):** 87 **Drivers:** 1 x full range d.80mm

---

## T 13 S

Ø 130 x P 93

**System:** closed **No.of ways:** full range **Power(W):** 35 **Impedance(Ohm):** 8 **X-over:** in-line, full range **Freq.Resp(Hz):** 85–20K  
**Sensitivity(dB):** 85 **Drivers:** 1 x full range d.50mm

---

---

## T 13 L

∅ 130 x P 300

**System:** closed **No.of ways:** full range **Power(W):** 50 **Impedance(Ohm):** 8 **X-over:** in-line, full range **Freq.Resp(Hz):** 70–20K  
**Sensitivity(dB):** 87 **Drivers:** 1 x full range d.80mm

---

### COLOURS AVAILABLE

**Chassis finishing:** polished aluminium / anodized aluminium / white painted / dark grey painted **Grille cloth:** white / beige / dark grey

**Notes:** \*Grille cloth can be changed on demand (see colours available on VELA speakers) \*\*Without indication when ordering, standard colours will be supplied (white grille cloth with white chassis and polished chassis, dark grey grille cloth with dark grey chassis, beige grille cloth with anodized chassis) **N.B.** On demand can be painted with other RAL colours, with increase of 15% on price.

---

## T 17 M

L 250 x H 250 x P 80

**System:** free-air **No.of ways:** 2 **Power(W):** 50 **Impedance(Ohm):** 4 / 8 **X-over:** 2 kHz **Freq.Resp(Hz):** 70-21K  
**Sensitivity(dB):** 89 **Drivers:** coaxial D.130 - 2 ways

---

## T 17 CG

L 250 x H 250 (170 mm diameter seen) x P 70

**System:** free-air **No.of ways:** 2 coax **Power(W):** 50 **Impedance(Ohm):** 4 / 8 **X-over:** 2 kHz  
**Freq.Resp(Hz):** 60–21K **Sensitivity(dB):** 89 **Drivers:** coax d.130mm – 2 ways

---

### COLOURS AVAILABLE

**Chassis finishing:** aluminium. **Grille cloth:** white. **Notes:** \*Grille cloth can be changed on demand (see colours available on VELA speakers).

\*\*Without indication when ordering, standard grille cloth will be supplied (white).