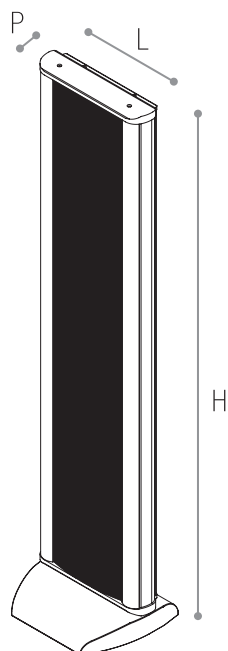


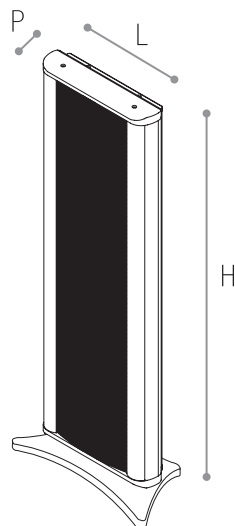
## VELA

da muro, esterne, incassate  
wall, built-in or external



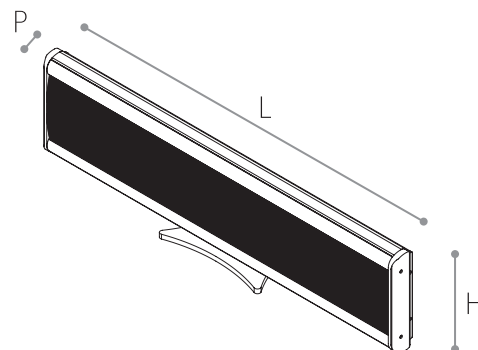
## VELA SA

da pavimento  
da pavimento



## VELA SA

da appoggio  
stand alone



## VELA C

da appoggio  
stand alone

## VELA 15

L 245 x H 153 x P 64,5

## VELA 15 SA

L 245 x H 180 x P 147

**System:** reflex passive **No.of ways:** 2 **Power(W):** 70 **Impedance(Ohm):** 8 **X-over:** 2 kHz **Freq.Resp(Hz):** 80-21K  
**Sensitivity(dB):** 88 **Drivers:** 1 x midwoofer d.80mm 1 x tweeter d.26mm

## VELA 30

L 245 x H 300 x P 64,5

## VELA 30 SA

L 245 x H 327 x P 147

**System:** closed box **No.of ways:** 2 **Power(W):** 125 **Impedance(Ohm):** 8 **X-over:** 2 kHz **Freq.Resp(Hz):** 65-21K  
**Sensitivity(dB):** 88 **Drivers:** 1 x midwoofer d.130mm 1 x tweeter d.26mm

## VELA 50

L 245 x H 520 x P 64,5

## VELA 50 SA

L 245 x H 547 x P 147

## VELA 50 C

L 520 x H 265 x P 145

**System:** reflex passive **No.of ways:** 2 **Power(W):** 125 **Impedance(Ohm):** 8 **X-over:** 2 kHz **Freq.Resp(Hz):** 52-21K  
**Sensitivity(dB):** 88 **Drivers:** 1 x midwoofer d.130mm 1 x tweeter d.26mm 1 x passive d.130mm

---

**VELA 70**

L 245 x H 700 x P 64,5

**VELA 70 SA**

L 245 x H 727 x P 147

**VELA 70 C**

L 700 x H 265 x P 145

**System:** reflex passive **No.of ways:** 2 **Power(W):** 125 **Impedance(Ohm):** 8 **X-over:** 2 kHz **Freq.Resp(Hz):** 48-21K  
**Sensitivity(dB):** 88 **Drivers:** 1 x midwoofer d.130mm 2 x tweeter d.26mm 2 x passive d.130mm

---

**VELA 100**

L 245 x H 1025 x P 64,5

**VELA 100 SA**

L 245 x H 1070 x P 200

**VELA 100 C**

L 1025 x H 267 x P 147

**System:** reflex passive **No.of ways:** 2 **Power(W):** 125 **Impedance(Ohm):** 8 **X-over:** 2 kHz double slope, power factor corrected  
**Freq.Resp(Hz):** 40-21K **Sensitivity(dB):** 88 **Drivers:** 1 x midwoofer d.130mm 1 x tweeter d.26mm - 4 x passive d.130mm

---

**VELA 100 TRIMODE**

L 1025 x H 245 x P 64,5

**VELA 100 C TRIMODE**

L 1025 x H 267 x P 147

**Type:** 3 Channels, stand alone **System:** reflex passive **No.of ways:** 2 x 3 channels **Power(W):** 125 x 3 **Impedance(Ohm):** 8 **X-over:** 2 kHz  
**Freq.Resp(Hz):** 55-21K **Sensitivity(dB):** 88 **Drivers:** 3 x midwoofer d.130mm 3 x tweeter d.26mm 2 x passive d.130mm

---

**VELA 120 TRIMODE**

L 1200 x H 245 x P 64,5

**VELA 120 C TRIMODE**

L 1200 x H 267 x P 147

**Type:** 3 Channels, stand alone **System:** reflex passive **No.of ways:** 2 x 3 channels **Power(W):** 125 x 3 **Impedance(Ohm):** 8 **X-over:** 2 kHz  
**Freq.Resp(Hz):** 55-21K **Sensitivity(dB):** 88 **Drivers:** 3 x midwoofer d.130mm 3 x tweeter d.26mm 2 x passive d.130mm

---

**COLOURS AVAILABLE**

**Chassis finishing:** polished aluminium / anodized aluminium / white painted / black painted. **Grille cloth:** black / bordeaux / light grey / white / beige / dark grey. Wooden sides: white / black / wengé / red mahogany / grey.

**Notes:** On demand can be covered by leather. **N.B.** On demand they can be painted with other RAL colours, with increase of 15% on price.